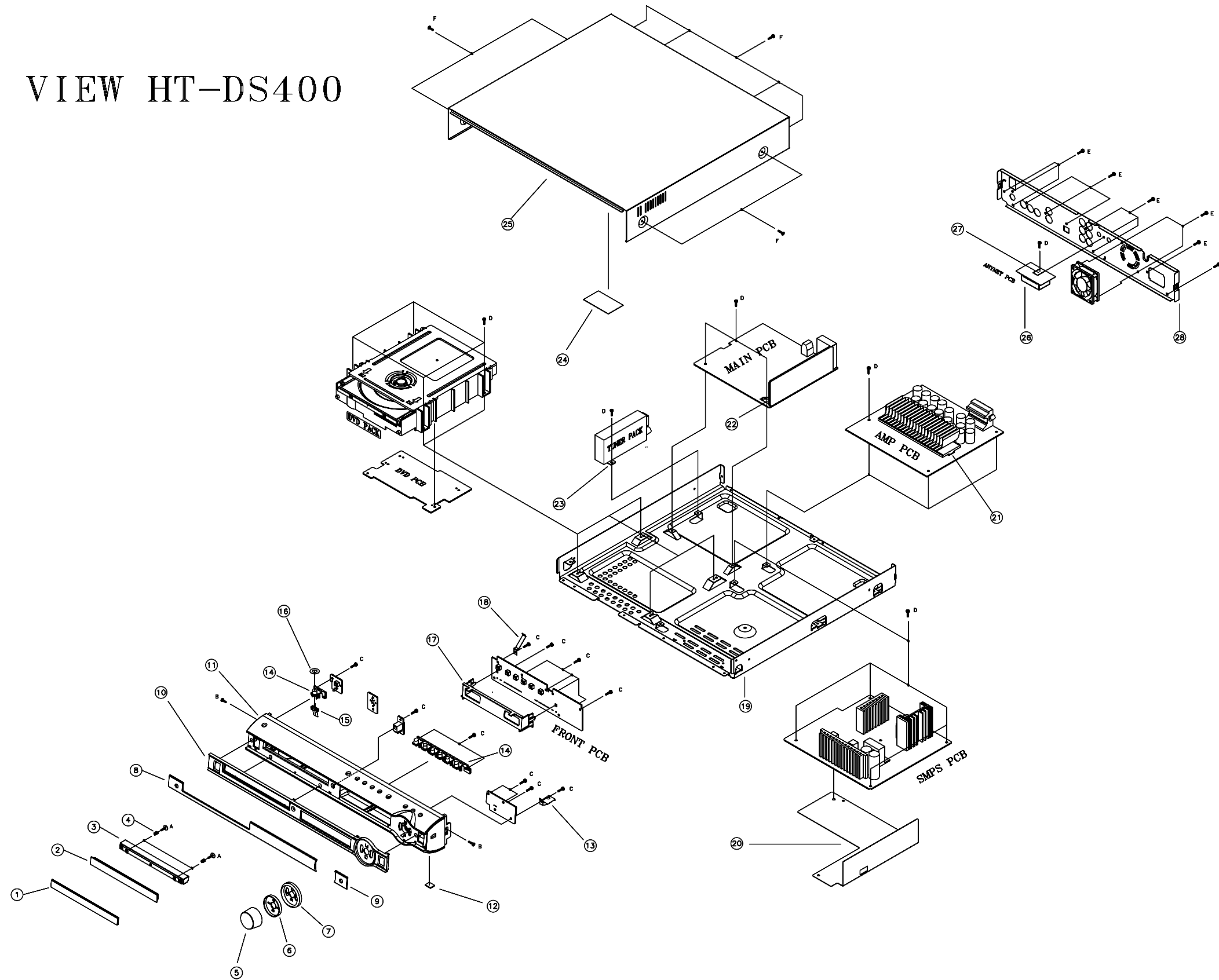


2.Exploded Views and Parts List

2-1 Total Exploded View

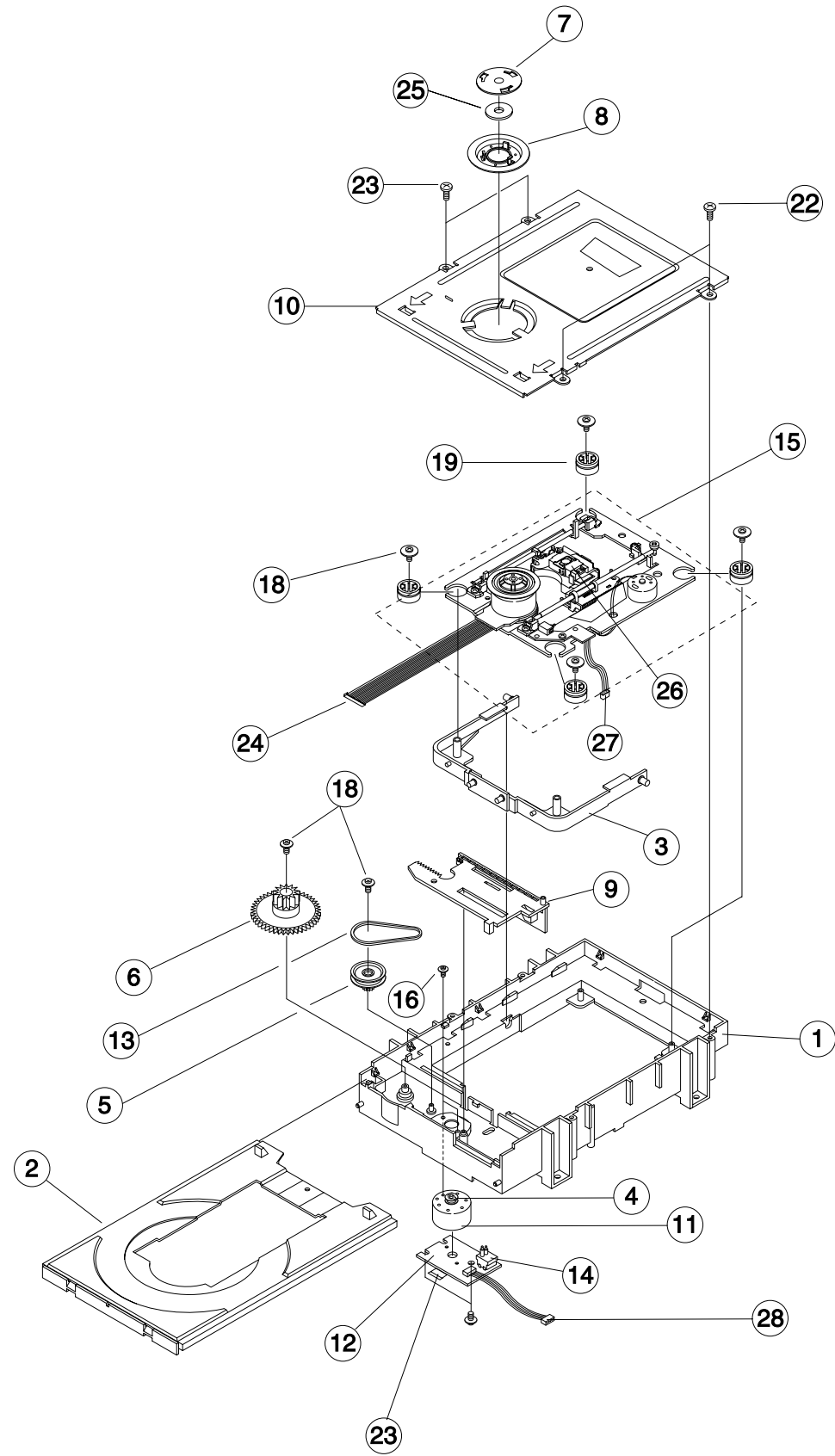
EXPLODED VIEW HT-DS400



* Parts List of Total Exploded view

No.	Code No.	Description	Specification	Q'ty	REMARK	No.	Code No.	Description	Specification	Q'ty	REMARK
1	AH64-02565A	WINDOW-CD	ACRYL 2.0T H/M	1							
2	AH64-02561A	DOOR-CD	ABS BLACK	1		A	6003-001496	SCREW-TAPTITE	WASHER 6.8 M2.5		
3	AH61-01404A	HOLDER-DOOR	ABS D/GRAY	1		B	6002-000126	SCREW-TAPPING	FH 3 * 8 BLK		
4	AH61-01325A	SPRING-DOOR	SUS304	2		C	6003-000276	SCREW-TAPTITE	BH 3 * 10 YEL		
5	AH64-02562A	KNOB-VOLUME	ABS L/GRY	1		D	6002-000398	SCREW-TAPTITE	BH 3 * 6 YEL		
6	AH67-00228A	LENS-VOLUME	PMMA MILKY	1		E	6003-000275	SCREW-TAPTITE	BH 3 * 10 BLK		
7	AH64-02567A	DECO-VOLUME	ABS L/GRY	1		F	6003-001499	SCREW-TAPTITE	BWH 3 * 10 SILVER		
8	AH64-02564C	WINDOW-FRONT	ACRYL 2.0T H/M	1							
9	AH64-02576B	WINDOW-PHONES	ACRYL 2.0T H/M	1							
10	AH64-02839A	DECO-FRONT	ABS BLACK	1							
11	AH64-02837C	CABINET-FRONT	HIPS L/GRY	1	EUROPE						
	AH64-02837D	CABINET-FRONT	HIPS L/GRY	1	AMERICA						
	AH64-02837E	CABINET-FRONT	HIPS L/GRY	1	ASIA						
12	AH73-00005A	RUBBER-FLOOR	EVA 11.5*9	1							
13	AH63-00632F	SHIELD-PHONES	PBS 0.2T	1							
14	AH64-02838B	KNOB-FUNCTION	ABS L/GRAY	1							
15	AH67-00265A	LENS-POWER	PMMA MILKY	1							
16	AH63-00731A	SHEET-POWER	HTMERON 0.3T	1							
17	AH61-01405A	HOLDER-VFD	ABS BLK	1							
18	AH61-10513A	BRACKET-PCB	PBS 0.3T	1							
19	AH64-02841A	CABINET-BOTTOM	SECC 0.8T	1							
20	AH73-00733A	SHEET-SMPS	PC 0.5T	1							
21	AH61-01608A	HOLDER-H/SINK	ABS+GF30%	1							
22	AH61-01140A	BRKT-PCB	SPT 0.5T	1							
23	AH61-01355A	BRKT-TUNER	SECC 1.0T	1							
24	AH73-00765A	SHEET-TOP	PC 0.5T	1							
25	AH64-02315B	CABINET-TOP	SECC 0.6T	1							
26	AH61-01580A	HOLDER-ANYNET	ABS	1							
27	AH61-01628A	BRKT-GND,ANYNET	PBS 0.3T	1							
28	AH64-02842C	CABINET-REAR	SECC 0.6T	1	EUROPE						
	AH64-02842D		SECC 0.6T	1	AMERICA,ASIA						

2-2 DVD MECHA Exploded View and Parts list



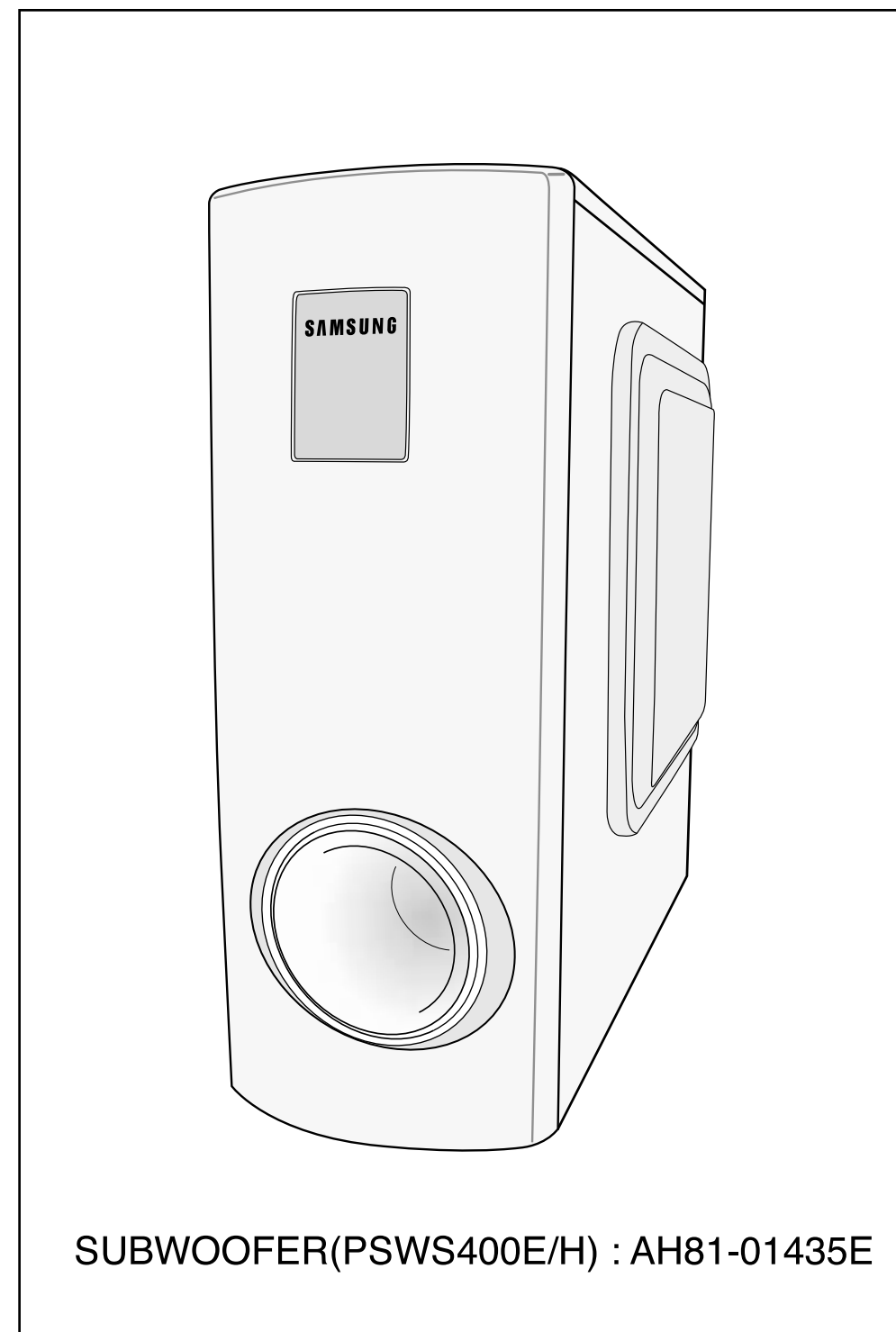
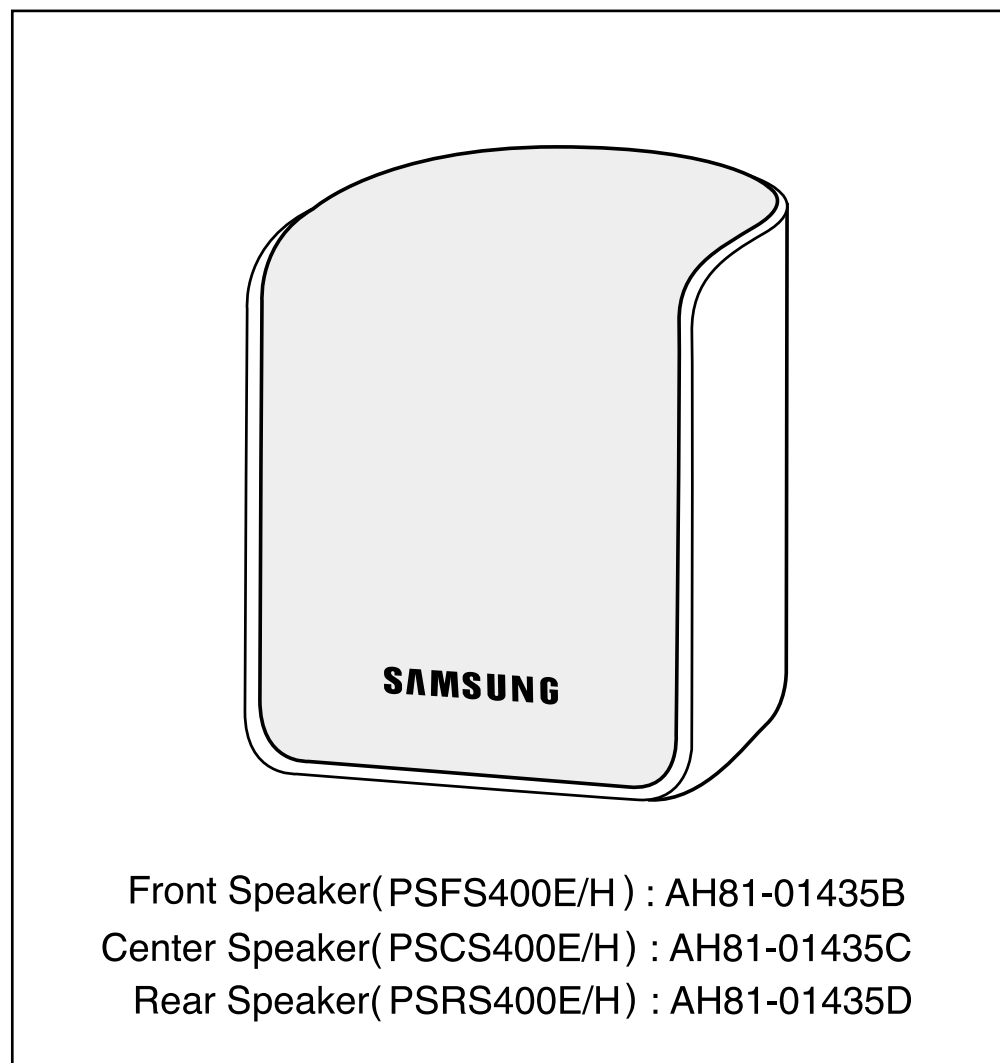
No.	Code No.	Description ;	Specification
	AH59-01153A	DECK-MECHA ASS'Y	CMS-SD100
1	AH61-01293A	BASE-MAIN	ABS BLK
2	AH63-00535A	TRAY-DISC	ABS D/GRAY
3	AH66-00214A	LEVER-LIFT	ABS+GF20%
4	AH66-00215A	PULLEY-MOTOR	POM WHT
5	AH66-00216A	GEAR-PULLEY	TPE WHT
6	AH66-00217A	GEAR-TRAY	POM WHT
7	AH61-01295A	CLAMPER-BRKT	SECC t0.8
8	AH63-00536A	CLAMPER-MOLD	POM WHT
9	AH66-00218A	SLIDE-CAM	PC WHT
10	AH61-01296A	HOLDER-BRACKET	SECC t0.8
11	AH31-00030B	MOTOR-DC	RF-300E-1D390
12	AH41-00560A	PCB-SWITCH	43.5 * 32.5
13	AH66-00219A	BELT-PULLEY	CR 1.2
14	3409-001119	SWITCH-DETECTOR	JDS2200
15	AH59-01184A	DVD-DECK ASSY	CMS-S51PG4
16	6001-001257	SCREW-MACHINE	1.7*3(W4.5)
17	AJ60-10001A	SCREW-TAP	WASHER 6.8
18	6003-000152	SCREW-TAP	2*10.12
19	AH73-00058A	RUBBER-CD	SILICON 30
20	0205-001106	GREASE	GX-99004
21	0205-001109	GREASE	DM-523
22	6003-000283	SCREW	TAP 3*8
23	AH02-00038A	TAPE	10mm*80mm
24	3809-001451	CABLE-FLAT	60mm 24P
25	3302-001505	MAGNET CHUCK	190 gf
26	AH30-00055A	PICK-UP	4P.JST
27	AH39-00495A	WIRE-HARNESS	UL1007,#28,70mm
28	AH39-00496A	WIRE-HARNESS	UL1007,#28,65mm

*** Caution:** The MECHA does not include the DECK ASS'Y.
The DECK ASS'Y must be ordered separately when repairing.

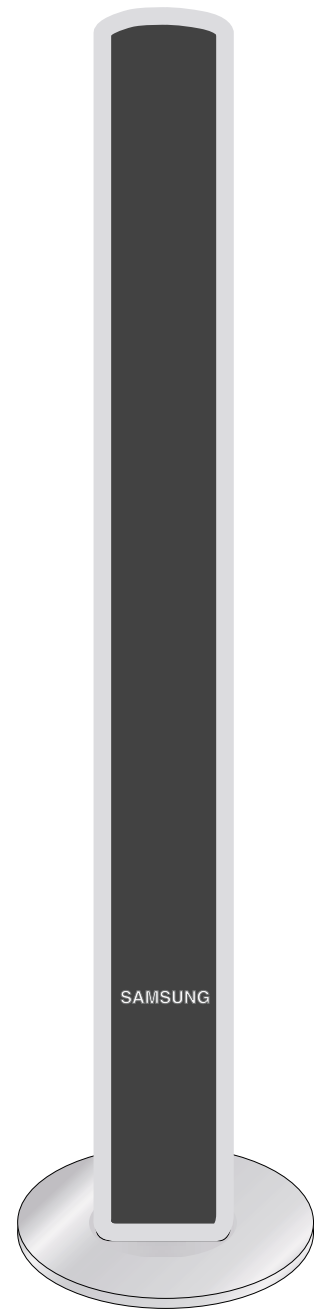
2-3 SPEAKER Composite View

2-3-1 HT-DS400

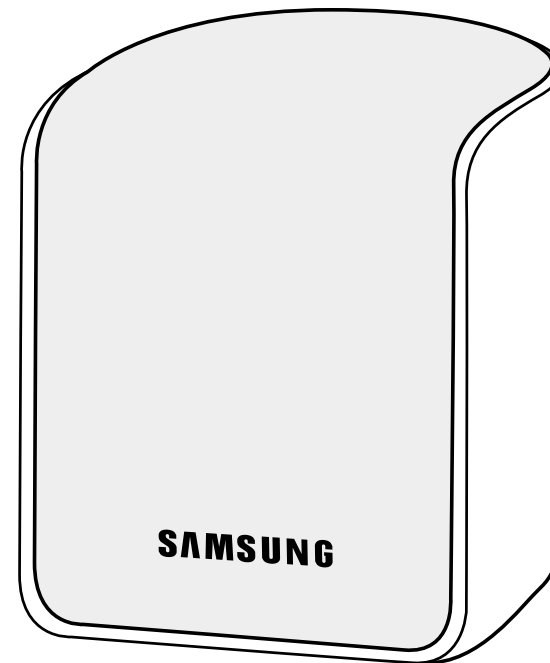
* CAUTION : The NET FRAME(or FRONT PANEL ASS'Y) uses bonding to connect to CABINET ASS'Y.
The extreme care not to damage the SPEAKER during disassembly.



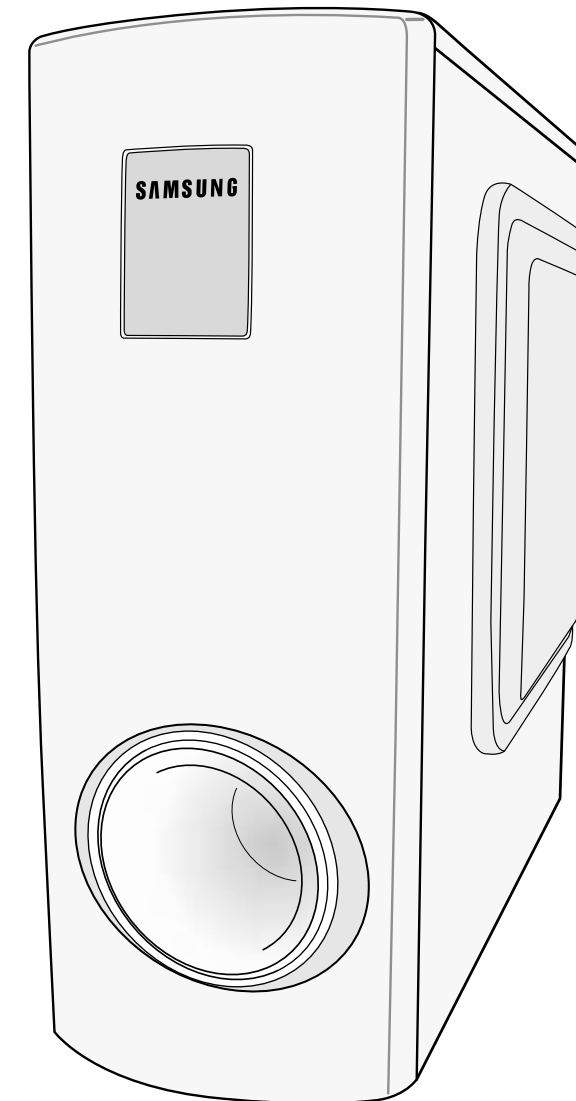
* CAUTION : The NET FRAME(or FRONT PANEL ASS'Y) uses bonding to connect to CABINET ASS'Y.
The extreme care not to damage the SPEAKER during disassembly.



Front Speaker: AH81-01533B
(PSFS900E)



Center Speaker(PSCS420E) : AH81-01544C
Rear Speaker(PSRS420E) : AH81-01544B



SUBWOOFER(PSWS400E/H) : AH81-01435E